



MODEL:20C

W6xH4.89M

INSTALLATION INSTRUCTIONS



## Installation Instructions

Congratulations on your purchase of our instant shelter. This unit is a combination of excellent manufacturing and design. It is comprised of a rigid frame and a durable cover. For easy assembly, we have marked all the parts with codes, with proper installation, use and maintenance, your unit will provide many years of good and suitable service.

## Tools Required

The following hand tool will be needed for proper installation of your new building:

- 12mm, 14mm, and 17mm open end wrenches
- 12mm, 14mm, 17mm sockets or box wrenches
- Large flat head screwdriver
- 2lb maul or sledgehammer
- 4ft level
- 14ft step ladder
- Stake and string for aligning base plates and frame

## Assembly Procedure

1. Prepare location and place all unit boxes near location sight. Perform an inventory check before beginning, to be certain all components are available for installation.
2. Secure base plate flanges to base surface.
3. Assemble every group of the arch.
4. Begin frame assembly with front end arch, first interior arch, purlins, etc.
5. Add to assemble other groups of arches.
6. Install main cover over frame.
7. Install end cover over end panels.

**Read all the detailed instructions and notices in the following assembly instructions!**

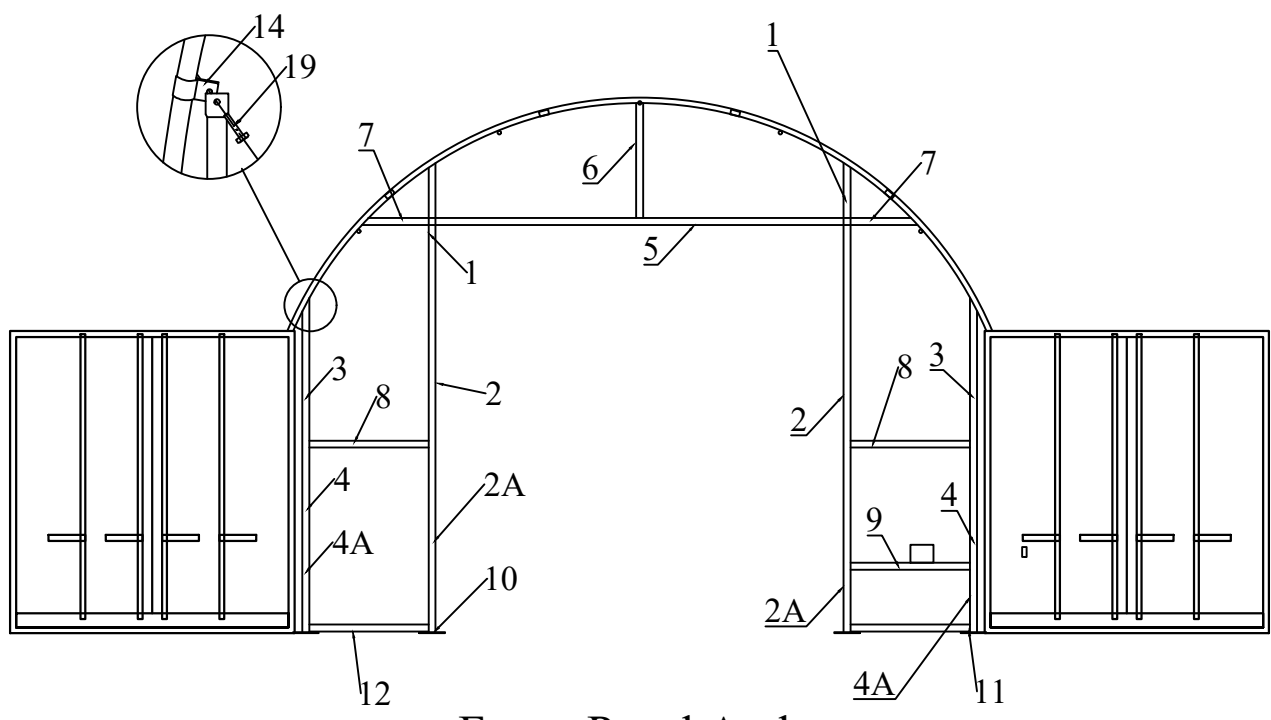


## Maintenance and Care

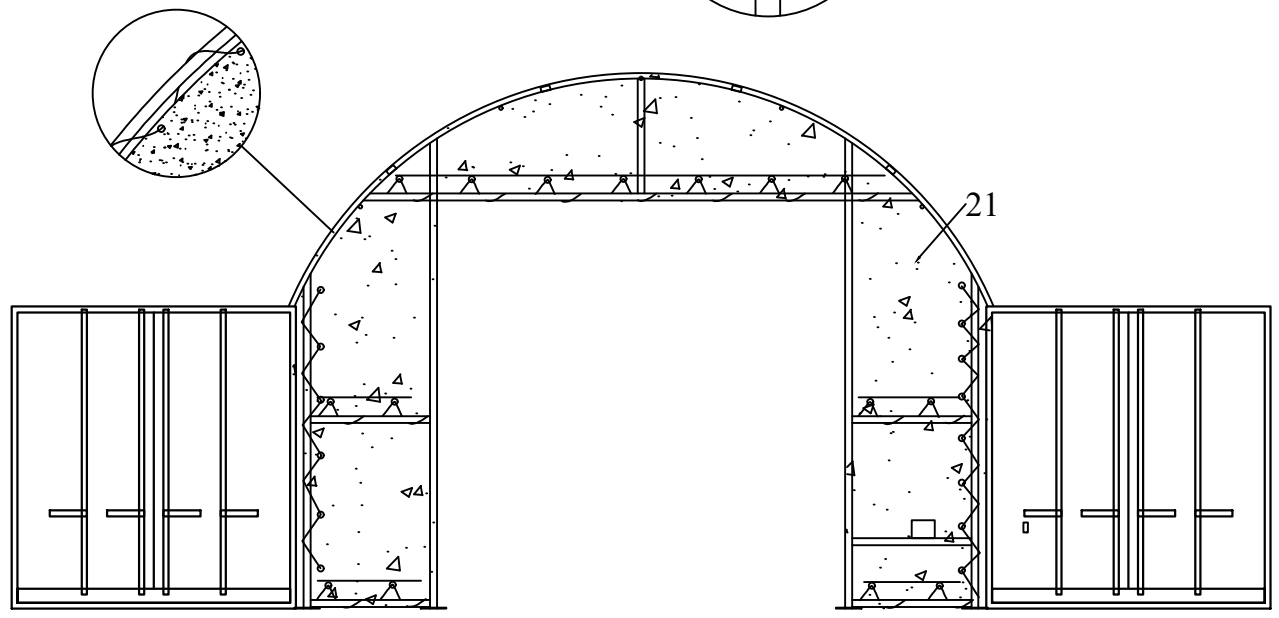
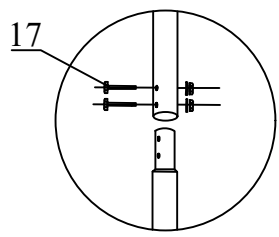
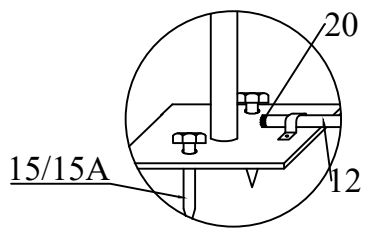
Annually or more often, the unit should be completely inspected internally and externally to make certain the unit remains properly installed and secured. Particular attention should be paid to:

- Hardware - check all carriage bolts and hardware connectors to be certain they are in place and tightened.
- Weather trends - The unit will strain against the base plate flange under windy conditions, pegs hardware, connection to frame members should be maintained tight and depth of pegs should be checked to be certain they remain deeply and firmly set.
- Snow Accumulation - All snow accumulation on the main cover should be removed as soon as possible. Tap the main cover from the inside with a broom or soft brush to clear cover.
- Main Cover Lacing - The poly rope that secures the main cover to the bottom rail of the frame assembly should be checked, and adjusted as needed. The tension on the main cover should be uniform from end and side to side. Rope ends must be tied off onto the frame members at the ends on each side.
- Cleaning - Cover and doors can be cleaned with a mixture of light detergent and water. A soft bristle brush with the mixture can be used to loosen any hard dirt, mould, or build up on the cover. After cleansing, the cover should be rinsed thoroughly to avoid any chemical reaction from residual detergent. Allowing dirt and debris to sit on cover over an extended time will damage cover irreparably.
- Severe Weather - in preparation for inclement weather, completely secure the door of your buildings portable building.

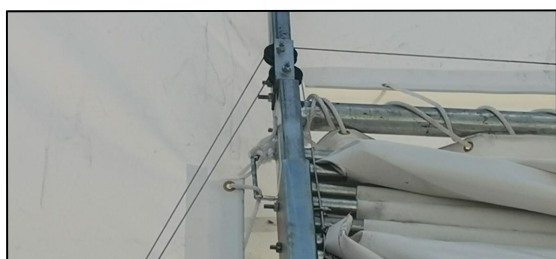
part Code	Descriptin	Quantity
1	Upper door track	2
2	Lower door track(GP use)	2
2A	Lower door track(HQ use)	2
	Connectors of door track	2sets+4
3	Upper vertical tube for sides of front panel	2
4	Lower vertical tube for sides of front panel	2
4A	Vertical tube(HQuse)	2
5	Door beam	1+1
6	Hanging tube for door beam	1
7	Upper rail for sides of front panel	2
8	Lower rail for sides of front panel	2
9	Hand winch rail	1
10	Base plate for door	2
11	Base plate for ends of front panel	2
12	Tensioning tube for front panel	2
13	Door tube	6+6
13A	Botton door tube	1+1
14	Clips	6
15	Stake peg	8
15A	Anchor bolt	8
16	Hand winch and pulleys	1sets
17	Hexagon bolt M10*75	56
18	Hexagon bolt M10*85	14
19	Hexagon bolt M10*30	10
20	Plastic cap	4
21	Cover for front panel	1
22	Cover for door(GP use)	1
23	Rope for cover installation	6

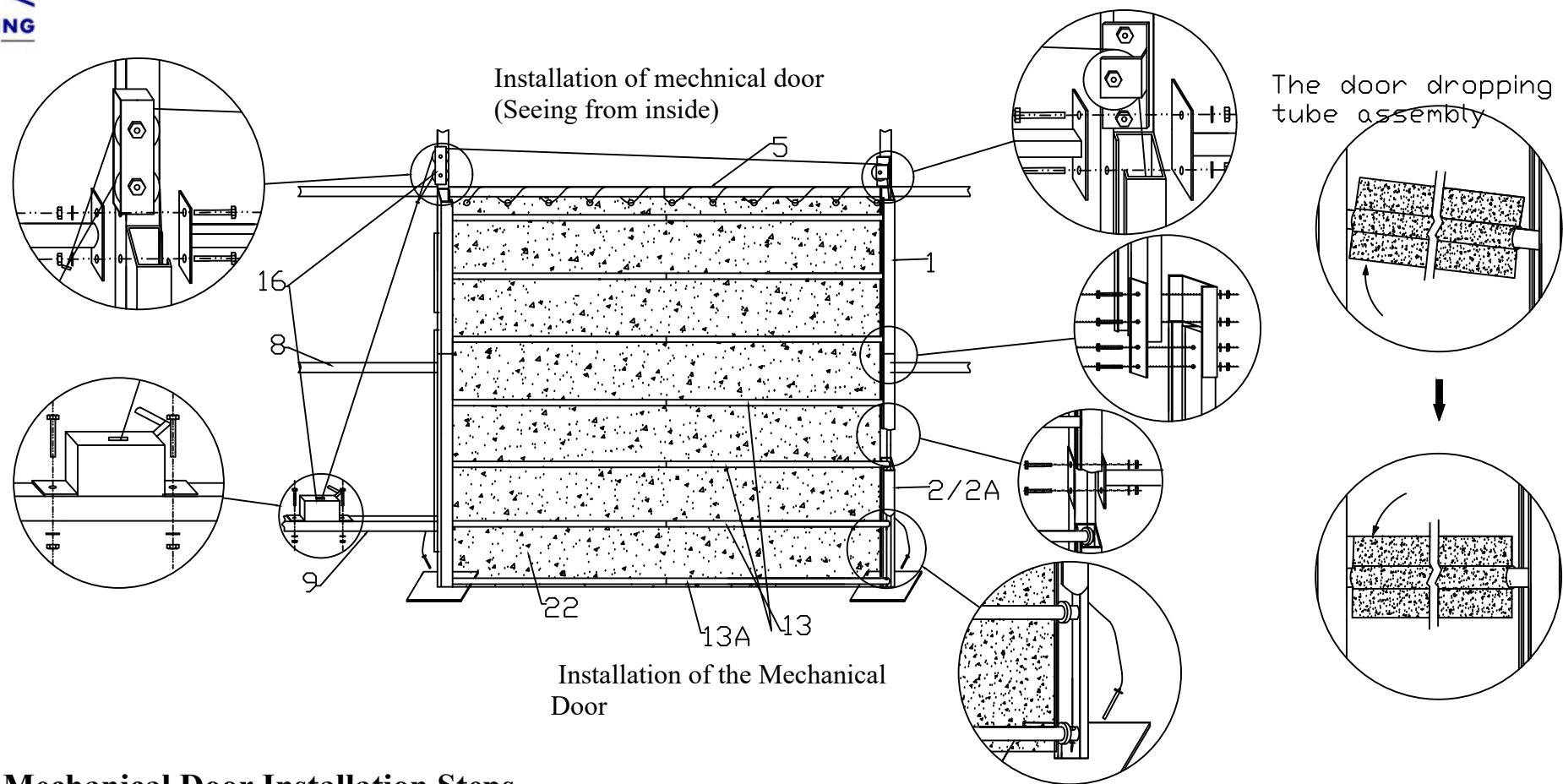


**Front Panel Arch**



**Installation of Front Panel Cover**





## --Mechanical Door Installation Steps

1. Install Main Door Pulleys (left and right) over the Top of the Door on each side of the Door Beam (Part #5).
2. Next mount the Winch Mechanism to the Front Panel Lower Beam (Part #9).
3. Slide Bottom Door Dropping Tube (Part #13A) into the bottom horizontal fabric pocket on the Door Cover(Part#22). Then slide the six remaining Door Dropping Tubes (Part #13) into the remaining horizontal fabric pockets in the Door Cover.
4. From the bottom of the door tracks(1, 2), gently raise and slide one door dropping tube(13) into the tracks. And then feed the other remaining door dropping tubes(13,13A) into the door tracks.
5. Next install the steel wire that leads from the door winching assembly to the bottom of the door dropping tubes. The Winch Assembly has a long and a short steel cable secured to it. Feed the end of the shorter of the two cables through the lower roller of the double pulley at the top of the door assembly track closest to the Winch Assembly, and then down through the holes in the Bottom Door Dropping Tube (13A) on the left hand side of the door (facing from the inside). When the steel cable goes down though the hole in the Bottom Dropping Tube (13A), tie a knot in the steel wire so that it cannot pass back up through the hole.
6. From the Winch Assembly route leading end of the Longer Steel Cable through the Upper Roller of the double pulley on near door track and then through the Single Roller on the door track farthest from the Winch Assembly. Then down through the Bottom Door Dropping Tube (13A). When the steel cable goes down though the hole in the Bottom Door Dropping Tube (13A), tie a knot in the steel cable. Door can now be opened or closed by operating the Winch Assembly. Raise and lower the door several times to be certain door tube ends are not binding on track. Lubricate if necessary.